

FEMC®

INNOVATIVE
PACKAGING MACHINERY

Servo-Driven Standalone Universal Screw Denester

Designed to automatically denest and accurately place trays, lids, cups or any items that possess uniform stacking features.

Every Universal Screw Denester is adjustable for any size container without the need for tools, and can reach speeds of 300 containers per minute in a single lane!

High speed, reliable servo motor provides simple integration onto any existing line.

Use it with a flow wrapper today, a case-ready meat & poultry line tomorrow, a frozen ready meal system next Tuesday, and wherever your imagination takes you after that!

KEY BENEFITS

- Accurate, positive and adjustable container placement
- Rugged and reliable
- Easy to operate and maintain
- Accepts input from multiple sources including limit switches, photo-eyes, PLCs, or encoders
- "Tool-less" 5-minute container changeover means one denester can serve multiple applications

Options and Accessories

Angular Stacking RodsAccommodates larger number of containers
 Type 314/314L Stainless Steel ConstructionFor dairy and high acidity applications
 Large ApertureFor containers larger than 10" (parallel to direction of travel)
 No Container/No Place Option.....For lids and/or accessory items placed by the denester
 Automatic Tray LoaderPlaces stacks of containers into magazine without user intervention
 InputEncoder, limit switch, signal, electric eye (specify at time of order)

Specifications

Model No:1020
Speed:.....300 CPM (max)
Changeover Time:approximately 5 mins

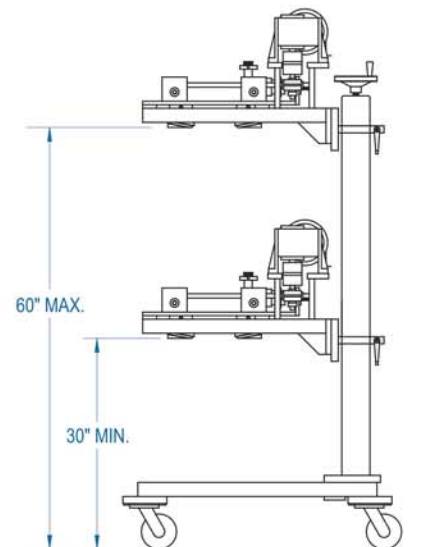
Requirements: (electrical) 120V/220V/480V
 (air)..... N/A



Works with
virtually any
packaging
system



SERVO POWERED



Simple height adjustment for
easy integration

