

# FEMC®

INNOVATIVE  
PACKAGING MACHINERY

## Servo-Driven Standalone Universal Screw Denester

Designed to automatically denest and accurately place trays, lids, cups or any items that possess uniform stacking features.

Every Universal Screw Denester is adjustable for any size container without the need for tools, and can reach speeds of 300 containers per minute in a single lane!

High speed, reliable servo motor provides simple integration onto any existing line.

Use it with a flow wrapper today, a case-ready meat & poultry line tomorrow, a frozen ready meal system next Tuesday, and wherever your imagination takes you after that!

### KEY BENEFITS

- Accurate, positive and adjustable container placement
- Rugged and reliable
- Easy to operate and maintain
- Accepts input from multiple sources including limit switches, photo-eyes, PLCs, or encoders
- "Tool-less" 5-minute container changeover means one denester can serve multiple applications

### Options and Accessories

Angular Stacking Rods .....Accommodates larger number of containers  
 Type 314/314L Stainless Steel Construction .....For dairy and high acidity applications  
 Large Aperture .....For containers larger than 10" (parallel to direction of travel)  
 No Container/No Place Option.....For lids and/or accessory items placed by the denester  
 Automatic Tray Loader .....Places stacks of containers into magazine without user intervention  
 Input .....Encoder, limit switch, signal, electric eye (specify at time of order)

### Specifications

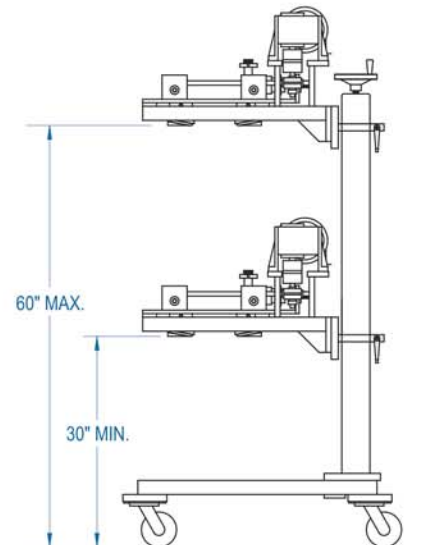
**Model No:** .....1020  
**Speed:**.....300 CPM (max)  
**Changeover Time:** .....approximately 5 mins

**Requirements:** (electrical) ..... 120V/220V/480V  
 (air)..... N/A



Works with  
virtually any  
packaging  
system

**SERVO POWERED**



Simple height adjustment for  
easy integration

